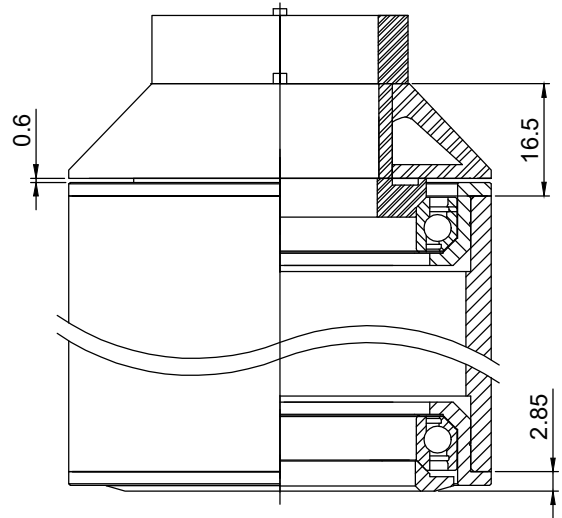
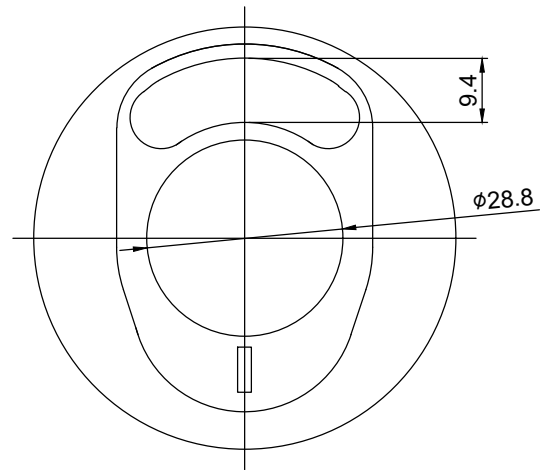


- For 1-1/8" upper steerer
- Headtube ID./OD. =56/62mm
- Alloy top cover with hole
- cnc machined cups
- Alloy cnc machined crown race (inner diameter 39.8 or 30mm)
- AC sealed bearing
- ZS56/28.6 | ZS56/39.8(30)



堆積高度(STACK HEIGHT)=19.4±1mm

| NO. | 零件名稱 PART NAME | 材質 MATERIAL | 圖號 ITEM NO. | 台量 Q'TY | 尺寸 DIM. DESCRIPTION |
|-----|------------------------------|----------------|----------------|------------|--|
| 1 | 內走線墊片 SPACER WITH HOLE | 鋁合金 6061/T6 | 329A | 1 | |
| 2 | 內走線上塞 TOP COVER WITH HOLE | 鋁合金 6061/T6 | 330A-3 | 1 | 1-1/8" |
| 3 | 內走線斜管 COMPRESSION RING | 鋁合金 6061/T6 | 329A-2 | 1 | 1-1/8" |
| 4 | 密封式軸承 SEALED BEARING | 軸承鋼 SUJ2 | NHB-15C | 1 | 0D52×1D42×H7×45° |
| 5 | 上/下碗 CUPS | 鋁合金 ALLOY | 285-5 | 2 | 56 ^{+0.15} ₋₀ |
| 6 | 密封式軸承 SEALED BEARING | 軸承鋼 SUJ2 | NHB-15 | 1 | 0D52×1D40×H8×45° |
| 7 | 151鋁下塞 CROWN RACE | 鋁合金 7075/T6 | 151-6 | 1 | 39.8(30) ⁺⁰ _{-0.1} |

- 1-1/8" 前叉立管
- 車頭管上下半部內徑/外徑56/62mm
- 鋁合金上塞及鋁合金碗
- 鋁合金下塞(內徑39.8或30mm)
- 密封式軸承

| | | | | | | | |
|-----------------|-----------------------------------|-------------|-----|--------------------|--------------|------------|------------|
| 單位 UNIT | mm | 比例 SCALE | 1:1 | 日期 DRAWING DATE | 2024. 11. 13 | 角法 VIEW | |
| 型號 ITEM NO. | H330A | | | | | | 版次(REV):A |
| 品名 ITEM NAME | H330A半隱藏內走線-組立圖(Assembly drawing) | | | | | | |
| 規格 DIMENSION | 1-1/8" x56/62x30(39.8) | | | | | | |
| 圖號 FIG. NO. | H330A-組立圖-A | | | | | | |
| | | | | | | | 誌慶工業股份有限公司 |