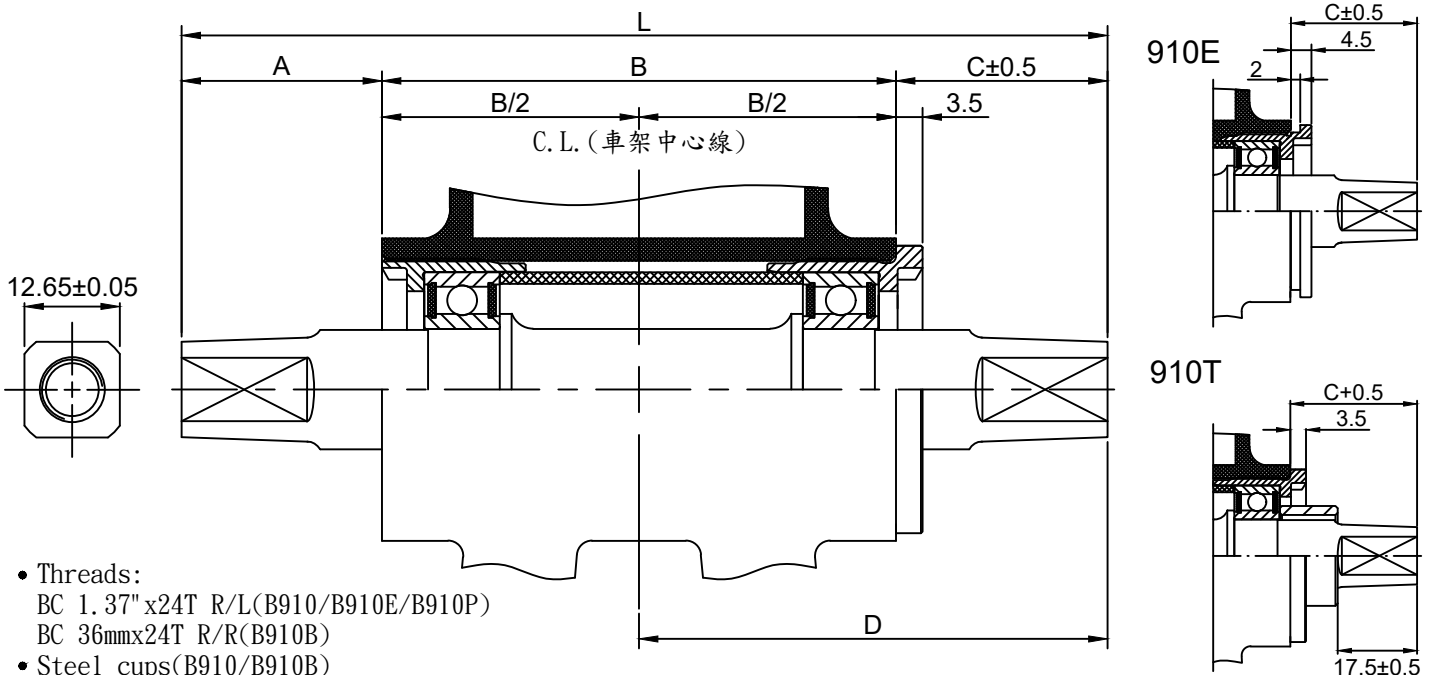


SQUARE_(JIS) CARTRIDGE BOTTOM BRACKET DIMENSIONS

B910/B910E/B910P/B910B/B910PP/B910T/B910TE/P910PPT



- Threads:
BC 1.37" x24T R/L(B910/B910E/B910P)
BC 36mmx24T R/R(B910B)
- Steel cups(B910/B910B)
Steel right cup & nylon left cup(B910P)
Nylon cups(B910PP)
E-type steel cup(B910E)
- Alloy sube(B910T)

AXLE LENGTH 中軸長度 L	B. B. SHELL WIDTH=68mm 五通管寬度 68mm				B. B. SHELL WIDTH=70mm 五通管寬度 70mm				B. B. SHELL WIDTH=73mm 五通管寬度 73mm			
	A	B	C	D	A	B	C	D	A	B	C	D
103.0	(16.5)	68	18.5	52.5								
107.5	(19.0)	68	20.5	54.5								
110.5	(22.0)	68	20.5	54.5	(21.0)	70	19.5	54.5				
113.5	(22.5)	68	23.0	57.0	(21.5)	70	22.0	57.0	(20.0)	73	20.5	57.0
115.0	(23.0)	68	24.0	58.0	(22.0)	70	23.0	58.0	(20.5)	73	21.5	58.0
116.0	(23.0)	68	25.0	59.0	(22.0)	70	24.0	59.0	(20.5)	73	22.5	59.0
118.0	(25.0)	68	25.0	59.0	(24.0)	70	24.0	59.0	(22.5)	73	22.5	59.0
119.0	(24.0)	68	27.0	61.0	(23.0)	70	26.0	61.0	(21.5)	73	24.5	61.0
122.5	(26.0)	68	28.5	62.5	(25.0)	70	27.5	62.5	(23.5)	73	26.0	62.5
124.5	(27.0)	68	29.5	63.5	(26.0)	70	28.5	63.5	(24.5)	73	27.0	63.5
126.0	(27.0)	68	31.0	65.0	(26.0)	70	30.0	65.0	(24.5)	73	28.5	65.0
127.5	(28.5)	68	31.0	65.0	(27.5)	70	30.0	65.0	(26.0)	73	28.5	65.0
131.0	(29.0)	68	34.0	68.0	(28.0)	70	33.0	68.5	(26.5)	73	31.5	68.0
134.0	(30.0)	68	36.0	70.0	(29.0)	70	35.0	70.0	(27.5)	73	33.5	70.0
147.0	(36.0)	68	41.0	75.0								

- Special size(特殊尺寸):
B910-93L (25.0/45/23.0)
B910-97L (20.0/50/27.0)
B910-152L(34.5/84/33.5)
B910-156L(34.5/84/37.5)
B910-163L(36.0/88/40.0)

單位 UNIT	mm	比例 SCALE	1:1	日期 DRAWING DATE	2021.05.13	角法 VIEW	
型號 ITEM NO.	NECO 910/910E/910P/910B/910T/910TE/910TE/910PPT						版次(REV):C
品名 PART NAME	910/910E/910P/910B/910T/910TE/910PPT 組立圖(Assembly drawing)						
規格 DIMENSION							
圖號 PART NO.	910(910E/910P/910B/910T/910TE/910PPT)-組立圖-C						



誌慶工業股份有限公司